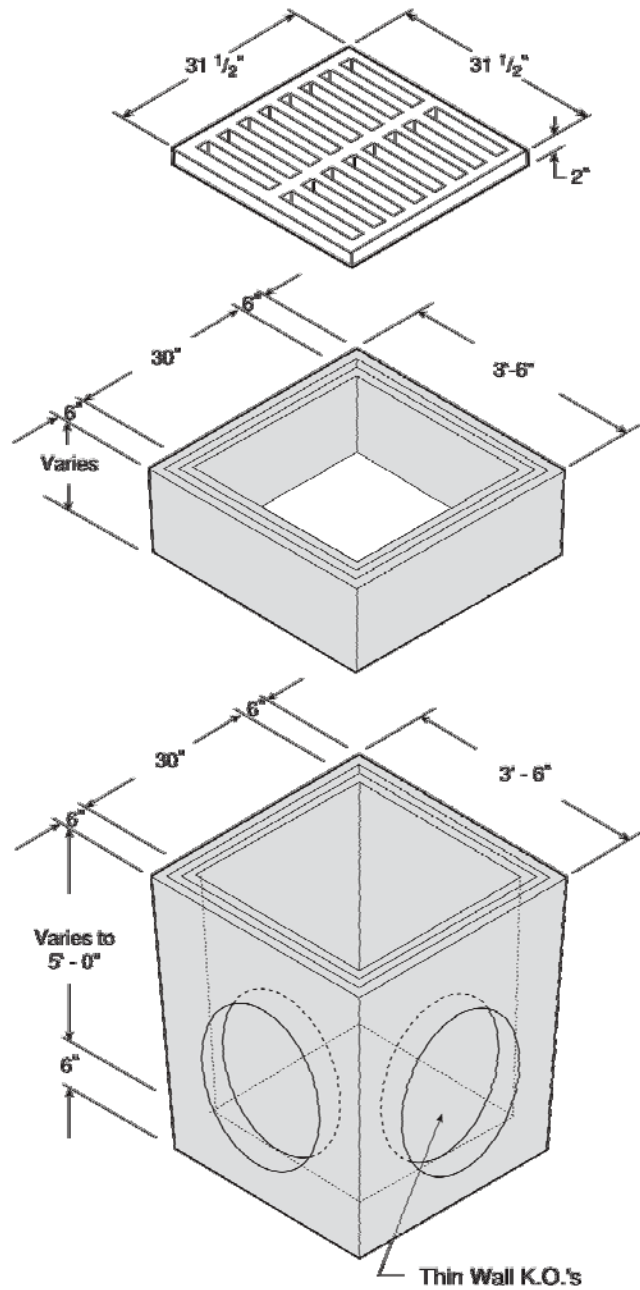


**Precast Drainage Structures**



**Materials & Features**

MAXIMUM PIPE SIZE: 24" I.D. R.C.P.

CONCRETE: 5,000 PSI

REINFORCING: per ASTM A-615 or A-185

CAST IRON FRAME & GRATE per ASTM A 48; Class 30/35

GRATE WEIGHT: 275 Lbs.


CATCH BASIN WEIGHT:(3' - 0" I.D.) 3,900 Lbs.

EXTENSION WEIGHT:

6" ..... 450 Lbs.

12" ..... 900 Lbs.

**-No Scale-**  
All dimensions subject to allowable specification tolerances.

TITLE	PLANT	STATE	SECTION/PAGE	DATE	
30" x 30" Inlet	Grand Prairie	TX	8.7	07-01-06	



PREPARED BY: THE CITY OF SULPHUR SPRINGS ENGINEERING DEPARTMENT

CITY OF SULPHUR SPRINGS  
DEVELOPMENT MANAGEMENT MANUAL  
DETAIL DRAWINGS

PRE-CAST FIELD INLET

SCALE: NTS  
DATE: 12.12.2013  
DR. BY:  
CK. BY:

DRAWING NUMBER  
**FIG.-9.03**