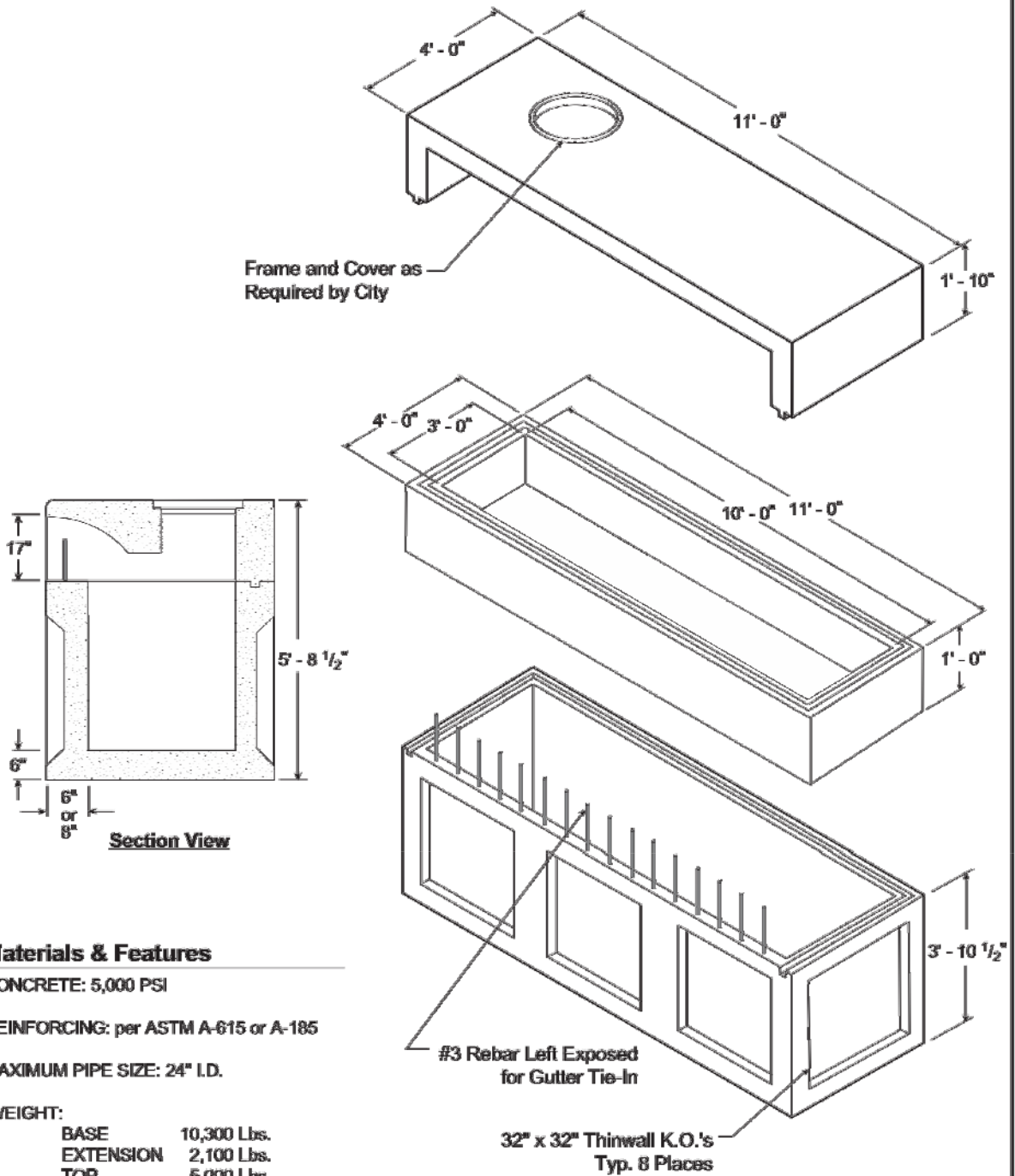


**Precast Drainage Structures**



**Materials & Features**

CONCRETE: 5,000 PSI

REINFORCING: per ASTM A-615 or A-185

MAXIMUM PIPE SIZE: 24" I.D.

**WEIGHT:**

BASE	10,300 Lbs.
EXTENSION	2,100 Lbs.
TOP	5,000 Lbs.
	<u>17,400 Lbs. Total</u>

**Note:**

- 1.) \*10" Curb Inlet Top not available from Houston Plant.

**-No Scale-**  
All dimensions subject to allowable specification tolerances.

TITLE	PLANT	STATE	SECTION/PAGE	DATE	
10' Curb Inlet - Dallas / Fort Worth	Grand Prairie Houston*	TX	10.a.5	07-01-06	<b>Hanson</b>



CITY OF SULPHUR SPRINGS  
DEVELOPMENT MANAGEMENT MANUAL  
DETAIL DRAWINGS

PRE-CAST 10'X3' CURB INLET

SCALE: NTS  
DATE: 12.12.2013  
DR. BY:  
CK. BY:

DRAWING NUMBER  
**FIG.-9.02**