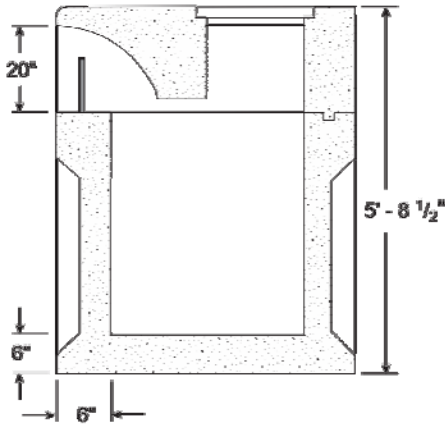
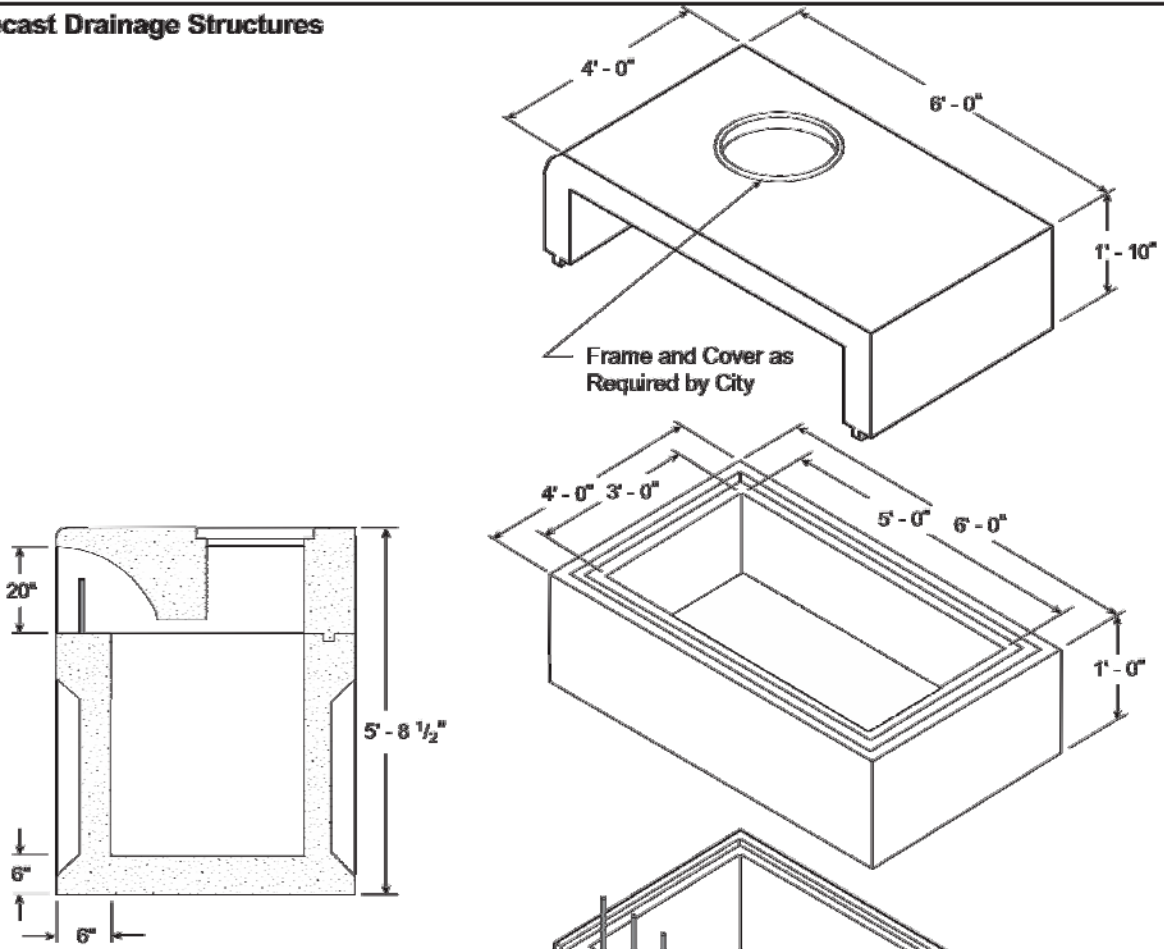


Precast Drainage Structures



Section View

Materials & Features

CONCRETE: 5,000 PSI

REINFORCING: per ASTM A-615 or A-185

MAXIMUM PIPE SIZE: 24" I.D.

WEIGHT:

BASE 6,300 Lbs.
 EXTENSION 1,350 Lbs.
 TOP 3,600 Lbs.
 11,250 Lbs. Total

#3 Rebar Left Exposed for Gutter Tie-In
 32" x 32" Thinwall K.O.'s Typ 4 Places

-No Scale-
 All dimensions subject to allowable specification tolerances.

TITLE	PLANT	STATE	SECTION/PAGE	DATE	
5' Curb Inlet w/5.0' Invert w/6" Wall Dallas / Fort Worth	Grand Prairie	TX	10.a.1	07-01-06	



PREPARED BY: THE CITY OF SULPHUR SPRINGS ENGINEERING DEPARTMENT

CITY OF SULPHUR SPRINGS
 NEW CITY HALL SITE IMPROVEMENTS:

PRE-CAST 5X3' CURB INLET

SCALE: NTS
 DATE: 12.12.2013
 DR. BY:
 CK. BY:

DRAWING NUMBER
FIG.-9.01