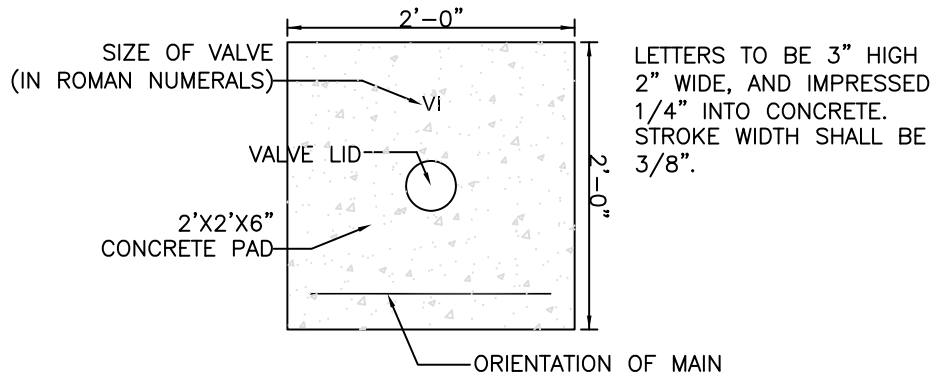
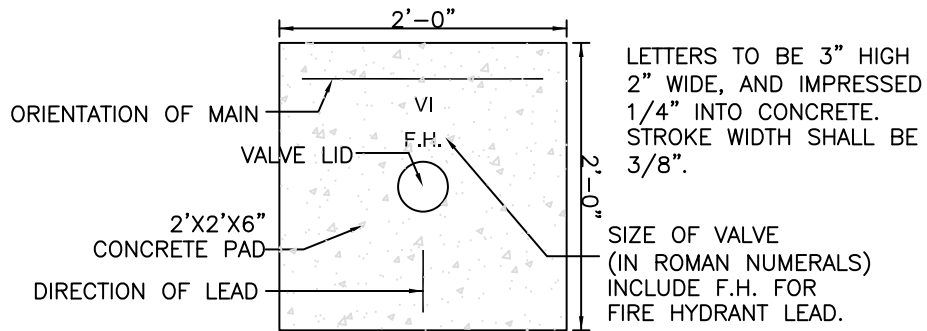


INLINE VALVE PAD



VALVES AT TEES OR TAPS PAD



TYPICAL VALVE PAD
INSTALLATION DETAIL
NOT TO SCALE